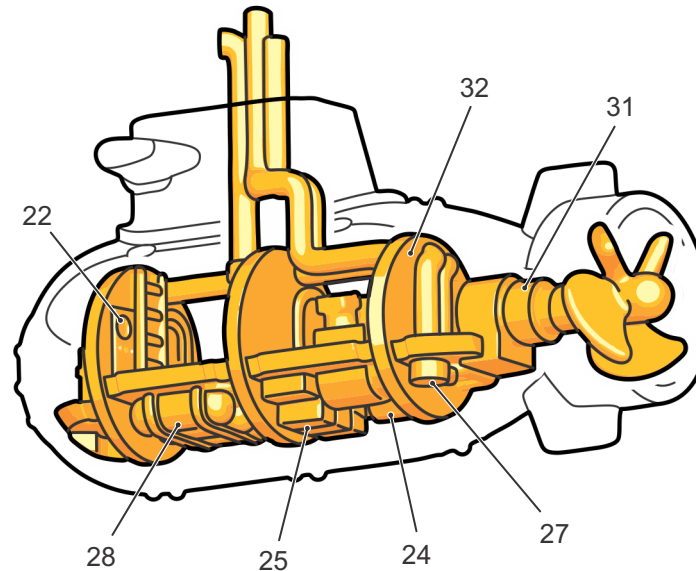
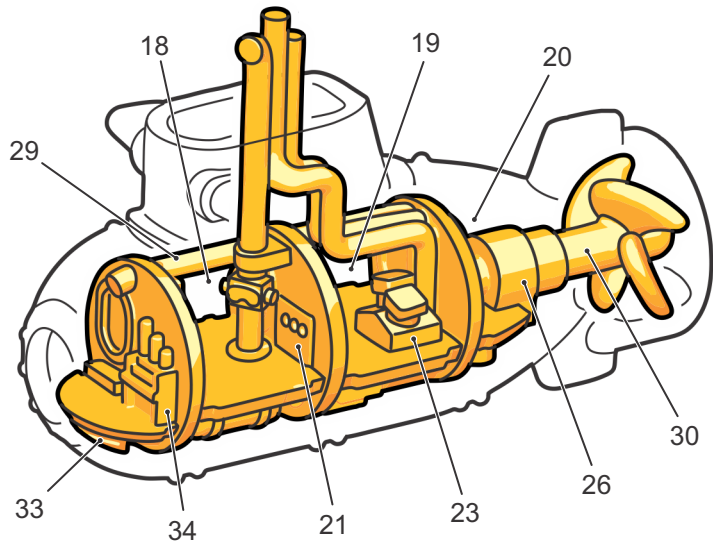
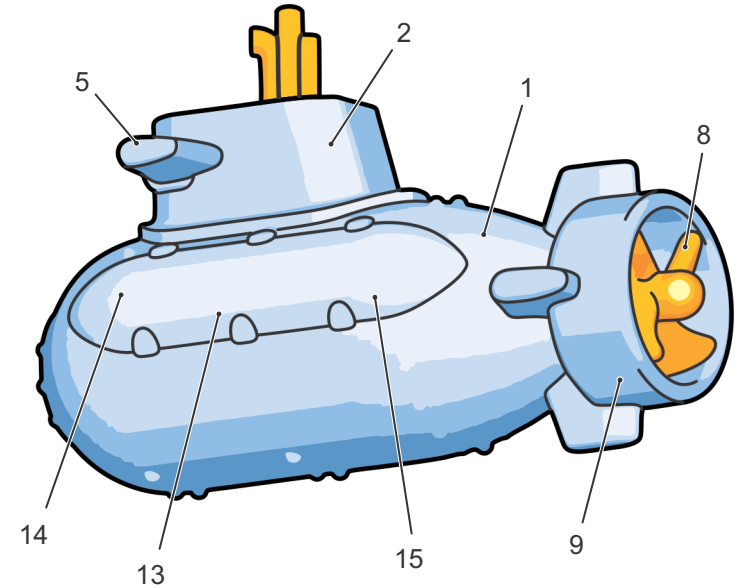
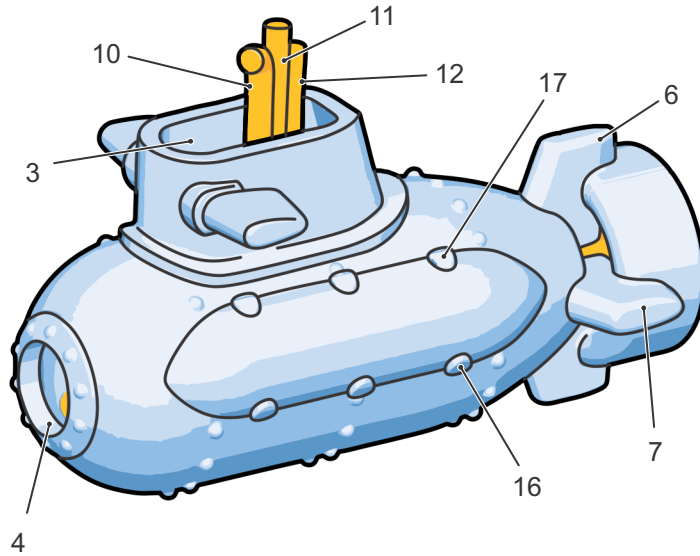


# Essential Components of a Submarine

- 1·Hull
- 2·Sail
- 3·Bridge Cockpit
- 4·Viewing Port
- 5·Diving Plane
- 6·Rudder
- 7·Stern (Diving) Plane
- 8·Propeller
- 9·Duct (Propeller Shroud)
- 10·Periscope
- 11·Intake Snorkel
- 12·Exhaust Snorkel
- 13·Main Ballast Tank
- 14·Forward Trim Tank
- 15·Aft Trim Tank



- 16·Flood Port
- 17·Vent
- 18·Control Room
- 19·Engine Room
- 20·Maneuvering Room
- 21·Control Station
- 22·Sonar Station
- 23·Diesel Engine
- 24·Electrical Generator
- 25·Batteries
- 26·Main Motor
- 27·Air Compressor
- 28·Compressed Air Tanks
- 29·Air Duct
- 30·Propeller Shaft
- 31·Shaft Seals
- 32·Bulkhead
- 33·Sonar (Hydrophone) Array
- 34·Pipe Organ